



E-bike Battery

HV

Specifications

- Cell Type : Li-Ion battery
- Pounds : about 3.3-5.3KG
- Warranty : 2-3 years
- Lifespan : ≥ 1000 cycles
- Size : 452mm*126mm*75mm
- Charge Type : SMART CHARGER(CC & CV)
- Water resistance level : IPX5
- Smart BMS



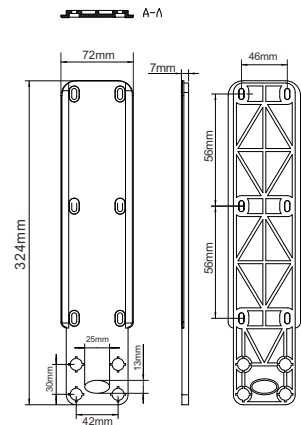
Size



Rear Light Item



Item without Rear Light



Holder

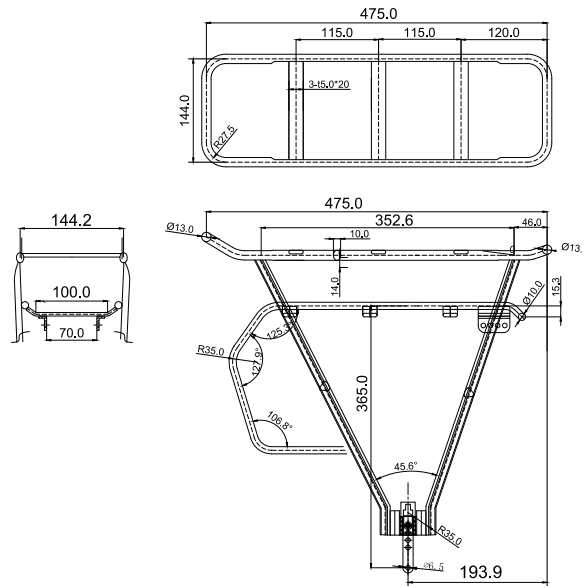
Specifications

Model	Vol	Cap	L	W	H	Weight	Curr	Max Curr
HV-36-13	36V	13Ah	452mm	126mm	75mm	3.3kg	22A	80-200A/3MS
HV-36-15	36V	15.6Ah	452mm	126mm	75mm	3.7kg	22A	80-200A/3MS
HV-36-17	36V	17.4Ah	452mm	126mm	75mm	4.2kg	22A	80-200A/3MS
HV-36-20	36V	20Ah	452mm	126mm	75mm	4.7kg	22A	80-200A/3MS
HV-48-10	48V	10.4Ah	452mm	126mm	75mm	4.1kg	22A	80-200A/3MS
HV-48-11	48V	11.6Ah	452mm	126mm	75mm	4.6kg	22A	80-200A/3MS
HV-48-14	48V	14Ah	452mm	126mm	75mm	5.3kg	22A	80-200A/3MS

Rear Rack Size



Available Color



Applications



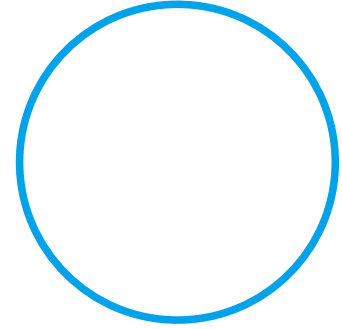
Product details



10PIN Port



Rear Light



Charge Port

Diagram

- ① Controller Box
- ② Bottom Cover
- ③ Rear Light
- ④ Cells
- ⑤ Water Resistance Seal
- ⑥ BMS
- ⑦ Charge & Data Port

