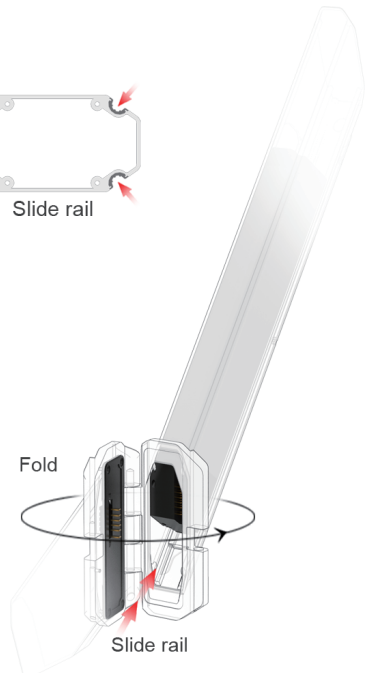
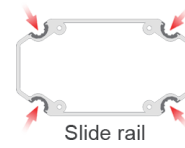


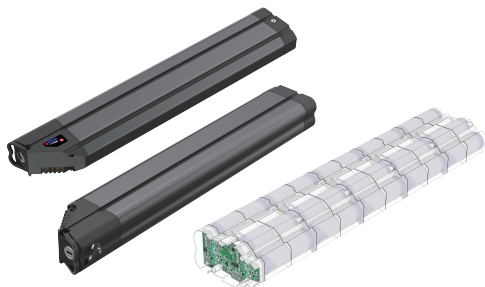
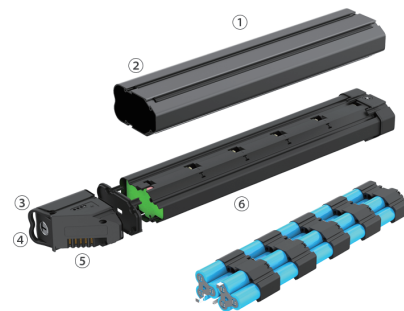
CE100



Details



- ① Alluminum case
- ② Slide rail
- ③ Handle bar
- ④ Lock
- ⑤ Charge port
- ⑥ Cell pack



Lock



Discharge port



Charge port



Power display

Specifications	
Cell Type	21700 Li-ion Battery
BMS	"Canbus; UART;Hardware"
Max Batteries	30pcs
Dimension	493x94x52mm
Capacity	
36V	10Ah, 15Ah
48V	10Ah
Other Specifications	
Charging Port	3PIN/DC2.1
Discharging Port	5PIN
MotorPower	250~750W
Charger	2A, 3A,5A US/EU standard available
Casing Type	Self-design,ODM available
Cells brand	Samsung,LG