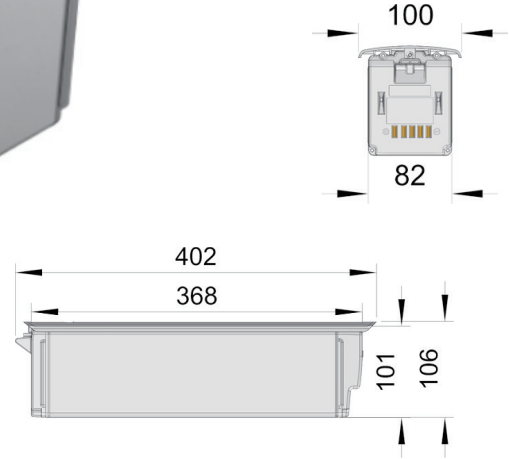


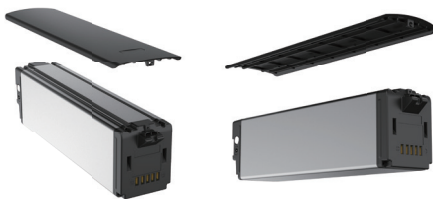
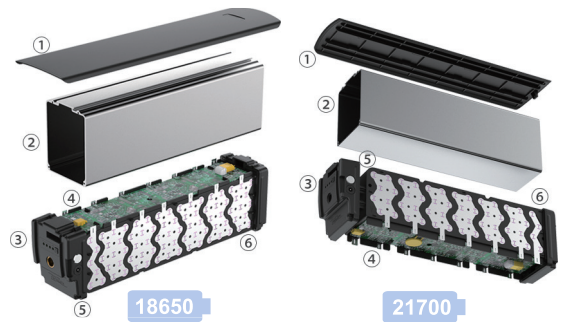
CE99



Details



- ① Top cover
- ② Alluminum case
- ③ Power display
- ④ BMS
- ⑤ Charge port
- ⑥ Cell pack



Power bottom



Discharge port



Charge port



Power display

Specifications		
Cell Type	18650 Li-ion Battery	21700 Li-ion Battery
BMS	"Canbus; UART; Hardware"	"Canbus; UART; Hardware"
Max Batteries	78pcs	52pcs
Dimension	402*106*100mm	402*106*100mm
Capacity		
36V	18.2Ah,21Ah,22.4Ah,24.5Ah	15Ah,20Ah,25Ah
48V	15.6Ah,18Ah,19.2Ah,21Ah	15Ah,20Ah
52V	14Ah, 15Ah,16Ah,17.5Ah	15Ah
Other Specifications		
Charging Port	3PIN/DC2.1	
Discharging Port	5PIN	
MotorPower	250~1000W	
Charger	2A, 3A,5A US/EU standard available	
Casing Type	Self-design,ODM available	
Cells brand	Samsung,LG, Lishen etc.	