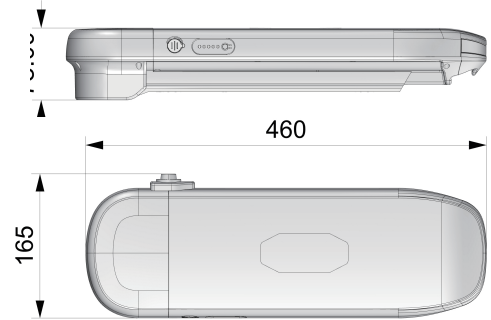


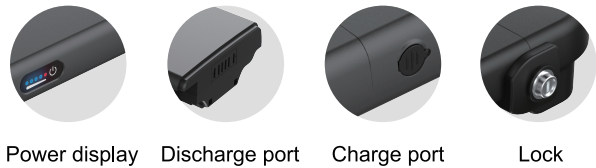
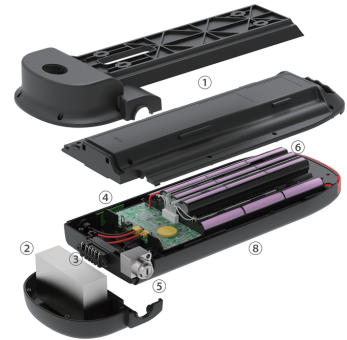
H17



Details



- ① Bottom cover
- ② Controller box
- ③ Discharge port
- ④ BMS
- ⑤ Lock
- ⑥ Cell pack
- ⑦ Rear light
- ⑧ Top cover



Power display Discharge port Charge port Lock

Specifications	
Cell Type	18650 Li-ion Battery
BMS	"Canbus; UART;Hardware"
Max Batteries	50pcs
Dimension	460x165x78mm
Capacity	
36V	13Ah, 15Ah, 16Ah, 17.5Ah
48V	9.6Ah, 10.5Ah
Other Specifications	
Charging Port	3PIN/DC2.1
Discharging Port	6PIN
MotorPower	250~750W
Charger	2A, 3A,5A US/EU standard available
Casing Type	Self-design,ODM available
Cells brand	Samsung,LG