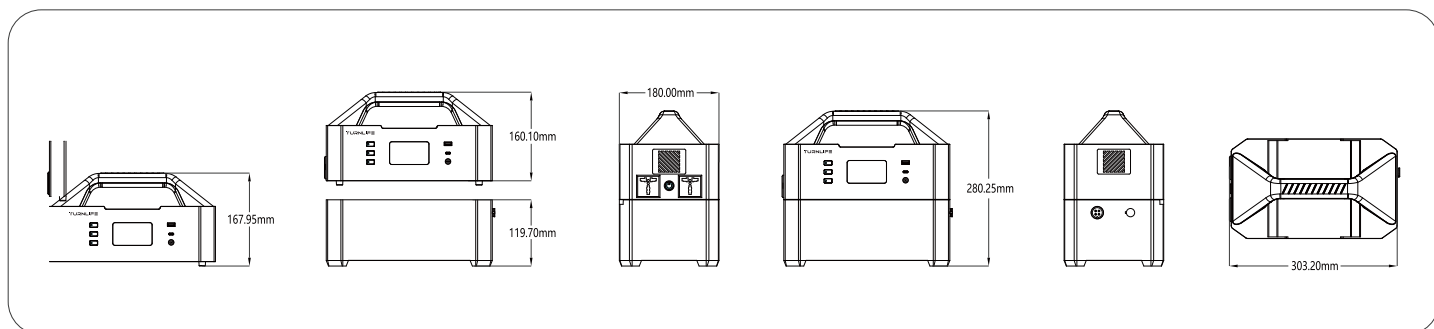


T27



STACKABLE STYLE

Inverter Parameters			
Product model	TLHY-B0003	DC Output	/
Total energy	768Wh	DC Output	12V/2A
AC output power	600W	TYPE-C Output	PD/QC3.0
AC output voltage	110-120V/220-230V	USB Output	PD/QC3.0
AC output frequency	50-60Hz	Wireless charging	PD/QC3.0/15W
AC Output current	2.8A	PV power	100W
AC input voltage	/	PV input voltage	0-36V
AC Input current	/	Power supply size	L:300mm*W:180mm*H:280mm
Inverter Parameters			
Battery capacity	30A	Overcharge protection voltage	29.6V
Battery nominal voltage	25.6V	Overdischarge protection voltage	21.6V
Charging upper limit voltage	29.2A	Overcurrent protection current	80A/1000mS
Discharge lower limit voltage	22.4V	Over temperature protection	70 C
Charging current	10A	Short circuit protection	/
Discharge current	30A	Battery supply size	L:300mm*W:180mm*H:120mm