

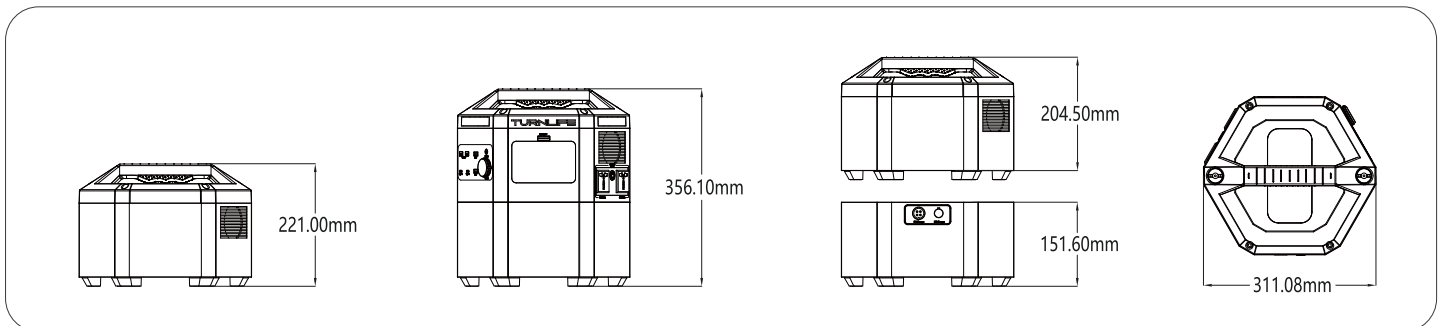
T28



2000Wh
(lithium battery)



998.4Wh
(lithium iron phosphate battery)



STACKABLE STYLE

Inverter Parameters			
Product model	TLHY-B0001	DC Output	12V/10A (Cigarette lighter)
Total energy	2000Wh	DC Output	12V/2A
AC output power	2000W	TYPE-C Output	PD/QC3.0
AC output voltage	110-120V/220-230V	USB Output	PD/QC3.0
AC output frequency	50-60Hz	Wireless charging	PD/QC3.0/15W
AC Output current	10A	PV power	600W
AC input voltage	220V	PV input voltage	30-60V
AC Input current	6A/0.5C	Power supply size	L:312mm*W:285mm*H:340mm
Inverter Parameters			
Product model	TLHY-B0001 (21700)	Overcharge protection voltage	59.5V
Battery energy	2000Wh (lithium battery)	Overdischarge protection voltage	37.8V
Battery nominal voltage	50.4V	Overcurrent protection current	240A/1000mS
Charging upper limit voltage	58.8V	Over temperature protection	70 °C
Discharge lower limit voltage	42V	Short circuit protection	(With short-circuit protection)
Charging current	20A	Battery supply size	L:312mm*W:285mm*H:135.5mm
Discharge current	60A		
Inverter Parameters			
Product model	TLHY-B0001 (32700)	Overcharge protection voltage	58.4V
Battery energy	998.4Wh (lithium iron phosphate battery)	Overdischarge protection voltage	44.8V
Battery nominal voltage	51.2V	Overcurrent protection current	240A/1000mS
Charging upper limit voltage	57.6V	Over temperature protection	70 °C
Discharge lower limit voltage	48V	Short circuit protection	(With short-circuit protection)
Charging current	10A	Battery supply size	L:312mm*W:285mm*H:135.5mm
Discharge current	60A		